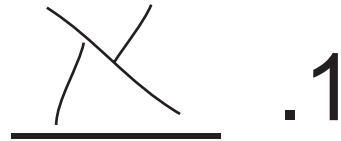


Order in the Court

White Aleph

Draw the letters in order!



Order in the Court

White Aleph

Draw the letters in order!



_____ .1

_____ .2

_____ .3

_____ .4



Order in the Court

White Aleph

Put the letters in order!



_____ .1

_____ .2

_____ .3

_____ .4

_____ .5



Order in the Court

White Aleph

Put the letters in order!



_____ .1

_____ .2

_____ .3

_____ .4

_____ .5

_____ .6



Aleph Champion Program

Order in the Court

White Aleph

Put the letters in order!



_____ .1

_____ .2



_____ .3

_____ .4



_____ .5

_____ .6



_____ .7

Order in the Court

White Aleph

Put the letters in order!



_____ .1

_____ .2

_____ .3



_____ .4

_____ .5

_____ .6



_____ .7

_____ .8












Aleph Champion Program

Order in the Court

White Aleph











Put the letters in order!

		_____	.1	
		_____	.2	
		_____	.3	
		_____	.4	
		_____	.5	
		_____	.6	
		_____	.7	
		_____	.8	
		_____	.9	

Order in the Court

White Aleph












Put the letters in order!

		_____	.1	
		_____	.2	
		_____	.3	
		_____	.4	
		_____	.5	
		_____	.6	
		_____	.7	
		_____	.8	
		_____	.9	
		_____	.10	

Order in the Court

White Aleph












Put the letters in order!

		_____	.1		
		_____	.2		
		_____	.3		
		_____	.4		
		_____	.5		
		_____	.6		
		_____	.7		
		_____	.8		
		_____	.9		
		_____	.10		
		_____	.11		

Order in the Court

White Aleph














Put the letters in order!

			
		_____	.1
		_____	.2
		_____	.3
		_____	.4
		_____	.5
		_____	.6
		_____	.7
		_____	.8
		_____	.9
		_____	.10
		_____	.11
		_____	.12

Order in the Court

White Aleph

Put the letters in order!

		_____	.1	
		_____	.2	
		_____	.3	
		_____	.4	
		_____	.5	
		_____	.6	
		_____	.7	
		_____	.8	
		_____	.9	
		_____	.10	
		_____	.11	
		_____	.12	
		_____	.13	

Order in the Court

White Aleph

Put the letters in order!



_____ .8



_____ .1

_____ .9

_____ .2



_____ .10

_____ .3

_____ .11

_____ .4



_____ .12

_____ .5



_____ .13

_____ .6



_____ .14

_____ .7



Order in the Court

White Aleph

Put the letters in order!

Put the letters in order!

_____ .1

_____ .2

_____ .3

_____ .4

_____ .5

_____ .6

_____ .7

_____ .8

_____ .9

_____ .10

_____ .11

_____ .12

_____ .13

_____ .14

_____ .15

Order in the Court

White Aleph

Put the letters in order!

Put the letters in order!

_____ .9

_____ .10

_____ .11

_____ .12

_____ .13

_____ .14

_____ .15

_____ .16

_____ .1

_____ .2

_____ .3

_____ .4

_____ .5

_____ .6

_____ .7







































_____ .8

Aleph Champion Program

Order in the Court

White Aleph

Put the letters in order!

	_____	.10		_____	.1	
	_____	.11		_____	.2	
	_____	.12		_____	.3	
	_____	.13	_____	_____	.4	
	_____	.14		_____	.5	
	_____	.15		_____	.6	
	_____	.16		_____	.7	
	_____	.17		_____	.8	
	_____	.18		_____	.9	
						
						
						

Aleph Champion Program